

ITEM NO: _____



MODEL:
Encore® KN50-1000-BR

PRODUCT NAME:
Encore® Deck Mount Pre-rinse Assembly

OPTIONAL:
 KN50-1000 W/Out Wall Bracket

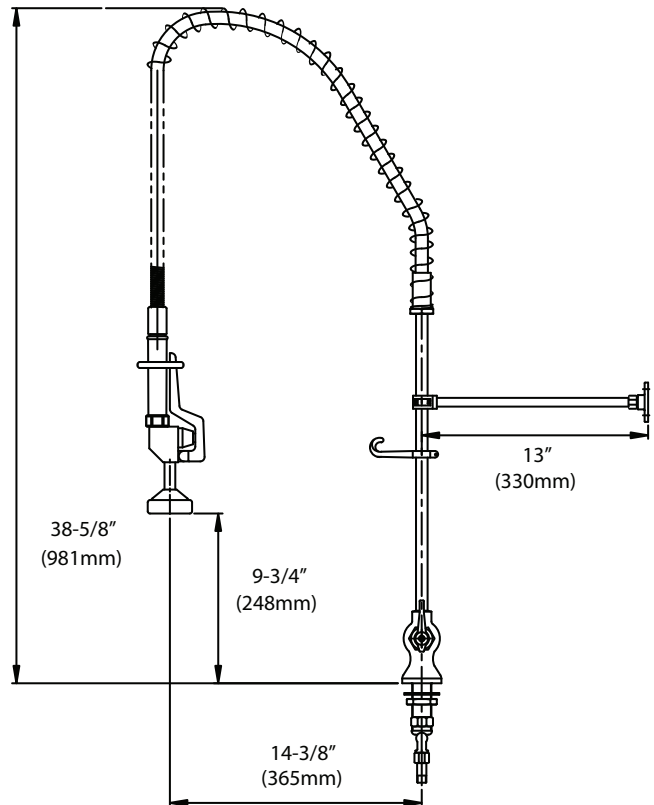
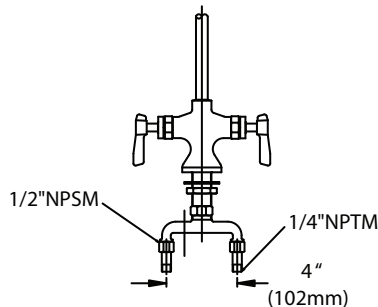
TECHNICAL/PERFORMANCE SPECIFICATIONS:

Commercial Specification Grade
Gaskets and Seals Rated Commercial Hot 180°F
1/2" NPS Male Inlets w/ 1/4" NPT Compression Fittings
Operating Temperature: 40 - 180°F
Operating Pressure: 15 - 125psi
Handle and Grip: SANIGUARD® treatment



ENGINEERING SPECIFICATION:

Polished Chrome Plated Brass
Single Hole Deck Mount Pantry Faucet
1/4 Turn Compression Valves w/ Check Valves
Lever Handles w/ SANIGUARD® Treatment
S/S Flex Hose w/ Santoprene Reinforced Hose
Stainless Steel Strain Relief – Patented
O-Ring Seals - Patented
Standard Full Spray Pattern
1.2 GPM Spray Face Included
Hold open ring and hose hook included



COMPLIES WITH:

ANSI A112.18.1M
CSA B125
NSF 61 / 9
ASTM F2324



MODEL: ENCORE® KN50-1000-BR

OPTIONS:

Handles

- K50-0001 4" Wrist Blade Handles
- K50-X011 Cross Handle Replacement Kit
- K50-X117 Chrome Plated Designer Handles

Valves

- KN50-Y006-CCV Cold 1/4 Turn Ceramic Valve with Inline Check Valves
- KN50-Y007-CCV Hot 1/4 Turn Ceramic Valve with Inline Check Valves

Add-on faucets

- KN55-7006 With 6"(152mm) Swing Spout
- KN55-7008 With 8"(203mm) Swing Spout
- KN55-7010 With 10"(254mm) Swing Spout
- KN55-7012 With 12"(305mm) Swing Spout
- KN55-7014 With 14"(356mm) Swing Spout
- KN55-7016 With 16"(406mm) Swing Spout

Vacuum breakers

- K50-X139 Top of Riser Atmospheric Vacuum Breaker
- K50-X139-B Bottom of Riser Atmospheric Vacuum Breaker
- K50-X196 In-Line Hose Application

Component Hardware Group, Inc. (CHG)

1890 Swarthmore Avenue, PO Box 2020, Lakewood, New Jersey 08701, Phone: 800-526-3694, 732-363-4700, Fax. 732-364-8110

www.chgusa.com