



T&S BRASS AND BRONZE WORKS, INC.

2 Saddleback Cove / P.O. Box 1088
Travelers Rest, SC 29690



REG. #A2601
ISO #9001

Model No.

EMPV-2DLN-06

Item No.

Travelers Rest, SC: 800-476-4103 Simi Valley, CA: 800-423-0150 Fax: 864-834-3518 www.tsbrass.com

This Space for Architect/Engineer Approval

Job Name _____ Date _____

Model Specified _____ Quantity _____

Customer/Wholesaler _____

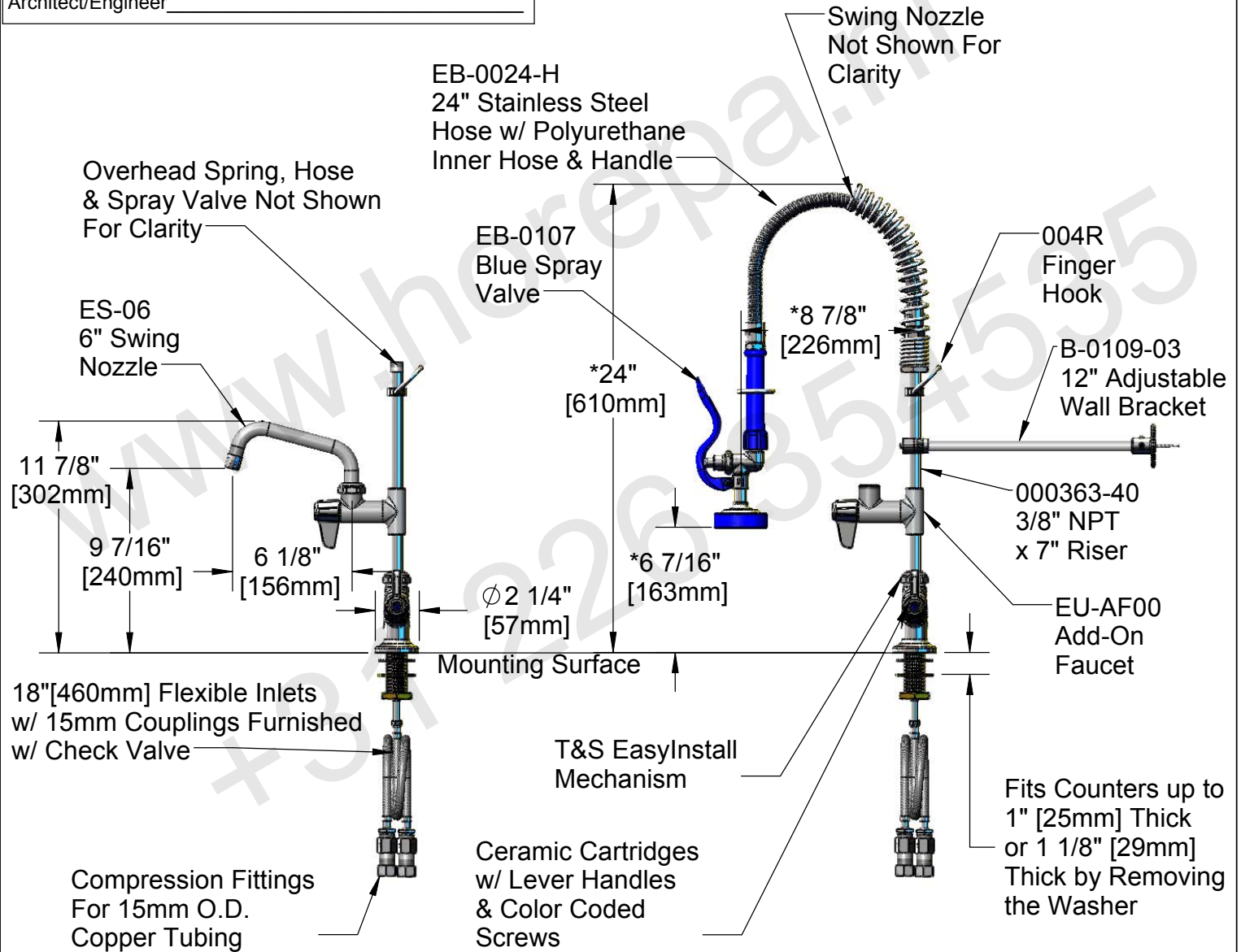
Contractor _____

Architect/Engineer _____

Note: Rough-In Requirement

Ø 1-1/2" [Ø 38mm] Hole
(Ø 1-1/4" [Ø 32mm] Minimum)

EPA Act 2005 Non-Compliant



* Dimensions Will Vary ±1" Each Installation

Product Specifications:

**Easy Install Pre-Rinse Unit:
Single Deck Mount Base Mixing Faucet, Add-On-Faucet,
6" Swing Nozzle, Compact Spring & Flex Hose, EB-0107
Spray Valve, 12" Wall Bracket & Lever Handles**

Drawn
JRM

Checked
ARH

Approved
JHB

Scale:

1:8

Date:

2/24/09



T&S BRASS AND BRONZE WORKS, INC.

2 Saddleback Cove / P.O. Box 1088
Travelers Rest, SC 29690



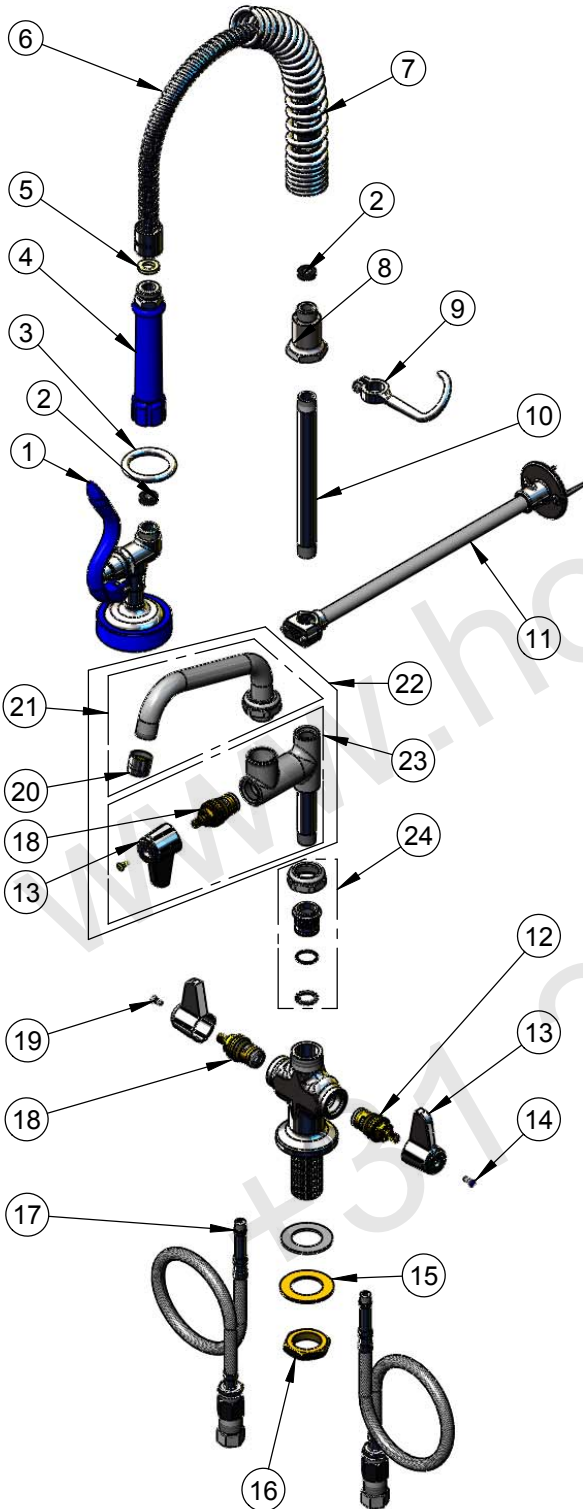
REG. #A2601
ISO #9001

Model No.

EMPV-2DLN-06

Item No.

Travelers Rest, SC: 800-476-4103 Simi Valley, CA: 800-423-0150 Fax: 864-834-3518 www.tsbrass.com



ITEM NO.	SALES NO.	DESCRIPTION
1	EB-0107	Blue Spray Valve
2	010476-45	#27 Washer
3	000907-45	Hold Down Ring
4	011482-40	Blue Grip Handle Assembly
5	010475-45	Washer, B-0100 Hose Barrel
6	B-0024-H2A	24" Flex Hose Less handle
7	016795-45	Compact Pre-Rinse Spring
8	000821-40	Spring Body
9	004R	Finger Hook
10	000363-40	3/8" x 7" Riser
11	B-0109-03	Bracket Assembly, 12" Wall
12	013788-45	Ceramic Cartridge, LTC
13	014578-45	EU Lever Handle & Blue/Red Screws
14	014455-45	Blue Lever Handle Screw (10 Pk)
15	002290-45	Shank Washer
16	000965-45	Shank Lock Nut
17	016068-25	15mm Flex Hose w/ Check Valve
18	013787-45	Ceramic Cartridge, RTC
19	014456-45	Red Lever Handle Screw (10 Pk)
20	014250-45	3/4" Full Flow Laminar Outlet
21	ES-06	6" Swing Nozzle, Euro
22	EU-AF06	Add-On Faucet w/ 6" Swing Nozzle
23	EU-AF00	Add-On Faucet
24	EU-EZ-K	Euro EasyInstall Retro-Fit Kit

Product Specifications:

Easy Install Pre-Rinse Unit:
Single Deck Mount Base Mixing Faucet, Add-On-Faucet,
6" Swing Nozzle, Compact Spring & Flex Hose, EB-0107
Spray Valve, 12" Wall Bracket & Lever Handles

Drawn JRM	Checked ARH	Approved JHB
Scale: NTS		Date: 2/24/09