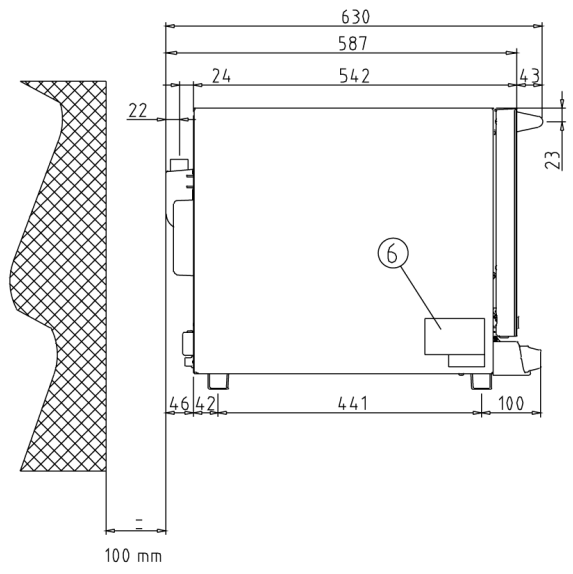
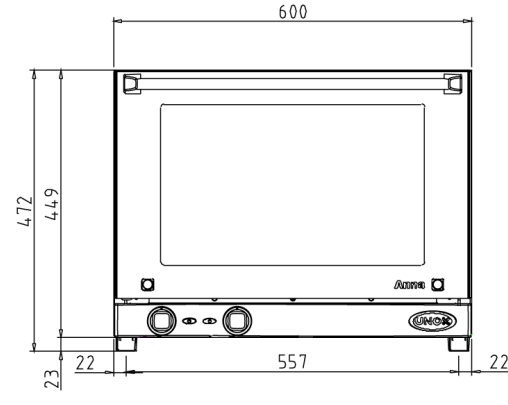
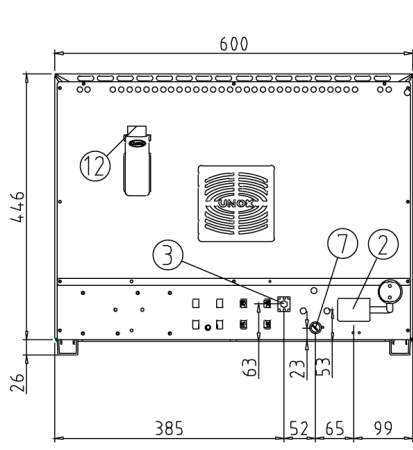


● ANNA XF023



ANNA	XF023
Capacity	4 460x330
Pitch	70 mm
Frequency	50 / 60 Hz
Voltage	230 V~ 1N
Electrical power	3,0 kW
Dimensions	600x472x587 mm
Weight	22 kg



ELETTRICO
BAKING MODES

Convection baking 30 °C - 260 °C

•

Mixed humidity and convection baking 48 °C - 260 °C

-

AIR DISTRIBUTION IN THE BAKING CHAMBER

AIR.Maxi™ technology: fans with reversing gear for models 600x400

•

AIR.Maxi™ technology: fans with reversing gear for models 460x330

-

CLIMA MANAGEMENT IN THE BAKING CHAMBER

DRY.Maxi™ technology: quick extraction of the humidity from the baking chamber

•

STEAM.Maxi™ technology: injection humidity from 20 to 100%, settable from the control panel

-

STEAM.Maxi™ technology: manual injection humidity

-

Pompa che permette al forno di aspirare acqua dal serbatoio (per modelli 460x330)

-

Elettrovalvola che permette di collegare il forno direttamente alla rete idrica (per modelli 600x400)

-

PANS

Pans aluminium flat (only for models 460x330)

•

AUXILIARIES FUNCTIONS

70 baking programs memory, each one composed by 3 steps

-

70 baking programs memory, each one composed by 1step

-

Protek.SAFE™ technology: maximum thermal efficiency and working safety (cold door glass and external surfaces)

•

Visualization of the set and real values of time left to finish the baking program

•

Continuous functioning «INF»

•

Visualization of the set and real values of the baking chamber temperature

-

Temperature unit settable in °C or °F

-

DOOR OPENING

Manual up-to-down door opening

•

Right-to-left door opening

-

Automatic door opening at the end of the baking program

-

TECHNICAL DETAILS

Rounded baking chamber made of high resistant AISI 304 stainless steel for hygiene and easy of cleaning

-

Rounded baking chamber made of high resistant ferritic steel for hygiene and easy of cleaning

•

Halogen lights

-

Baking chamber lights

•

Light weight – heavy duty structure using innovative materials

•

Proximity door contact switch

• (XF043)

Autodiagnosys system for problems or brake down

-

Safety temperature switch

•